



TABLE OF CONTENTS

1.DATA SHEET

PAGE 1

2.MARKING

PAGE 5

3.PACKING

PAGE 6

4.HIGH RELIABILITY TEST SPEC.

PAGE 10



MBR1040CT~MBR10200CT

10 AMPERES SCHOTTKY BARRIER RECTIFIERS

VOLTAGE 40 to 200 Volts **CURRENT** 10 Amperes

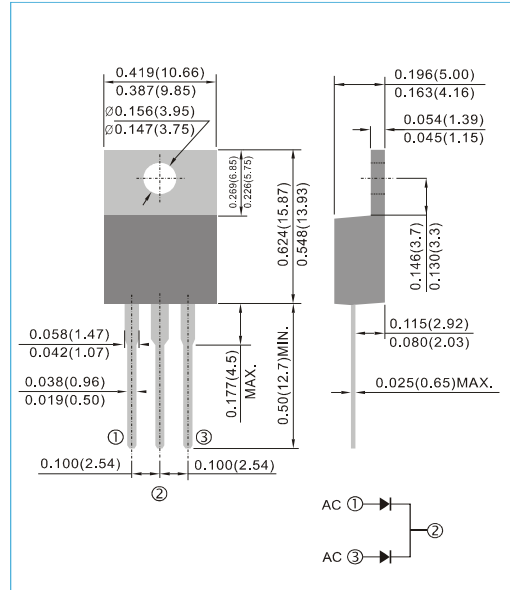
TO-220AB Unit : inch(mm)

FEATURES

- Plastic package has Underwriters Laboratory Flammability Classification 94V-O. Flame Retardant Epoxy Molding Compound.
- Metal silicon junction, majority carrier conduction
- Low power loss, high efficiency.
- High current capability
- Guardring for overvoltage protection
- For use in low voltage, high frequency inverters free wheeling, and polarity protection applications.
- Lead free in comply with EU RoHS 2011/65/EU directives

MECHANICAL DATA

- Case: TO-220AB molded plastic
- Terminals: solder plated, solderable per MIL-STD-750, Method 2026
- Polarity: As marked.
- Mounting Position: Any
- Weight: 0.0655 ounces, 1.859 grams.



MAXIMUM RATINGS AND ELECTRICAL CHARACTERISTICS

Ratings at 25°C ambient temperature unless otherwise specified. Single phase, half wave, 60 Hz, resistive or inductive load.

For capacitive load, derate current by 20%

| PARAMETER | SYMBOL | MBR1040 CT | MBR1045 CT | MBR1050 CT | MBR1060 CT | MBR1080 CT | MBR1090 CT | MBR10100 CT | MBR10150 CT | MBR10200 CT | UNITS | |
|--|-----------------------------------|-------------|------------|-------------|------------|------------|------------|-------------|-------------|-------------|-------|--------|
| Maximum Recurrent Peak Reverse Voltage | V _{RRM} | 40 | 45 | 50 | 60 | 80 | 90 | 100 | 150 | 200 | V | |
| Maximum RMS Voltage | V _{RMS} | 28 | 31.5 | 35 | 42 | 56 | 63 | 70 | 105 | 140 | V | |
| Maximum DC Blocking Voltage | V _{DC} | 40 | 45 | 50 | 60 | 80 | 90 | 100 | 150 | 200 | V | |
| Maximum Average Forward Current (See fig.1) | I _{F(AV)} | 10 | | | | | | | | | A | |
| Peak Forward Surge Current : 8.3ms single half sine-wave superimposed on rated load (JEDEC method) | I _{FSM} | 150 | | | | | | | | | A | |
| Maximum Forward Voltage at 5A, per leg | V _F | 0.7 | 0.75 | 0.8 | | | | 0.9 | | V | | |
| Maximum DC Reverse Current at Rated DC Blocking Voltage T _J =25°C T _J =125°C | I _R | | | | | 0.05 20 | | | | | | mA |
| Typical Thermal Resistance | R _{θJC} | | | | | 2 | | | | | | °C / W |
| Operating and Storage Junction Temperature Range | T _J , T _{STG} | -55 to +150 | | -65 to +175 | | | | | | | °C | |

Notes :

Both Bonding and Chip structure are available.



MBR1040CT~MBR10200CT

RATING AND CHARACTERISTIC CURVES

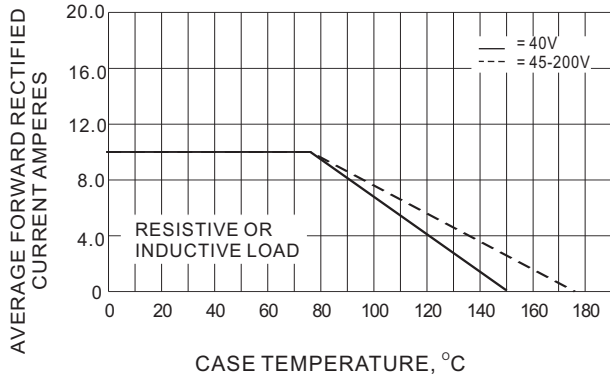


Fig.1- FORWARD CURRENT DERATING CURVE

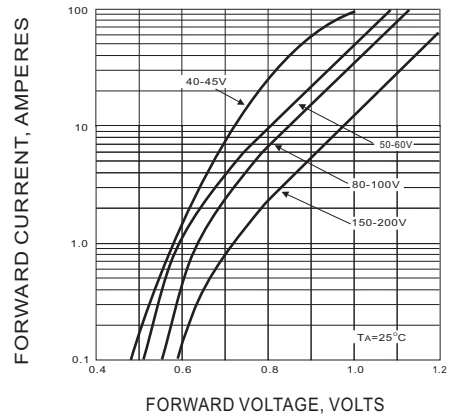


Fig.2- TYPICAL INSTANTANEOUS FORWARD CHARACTERISTIC

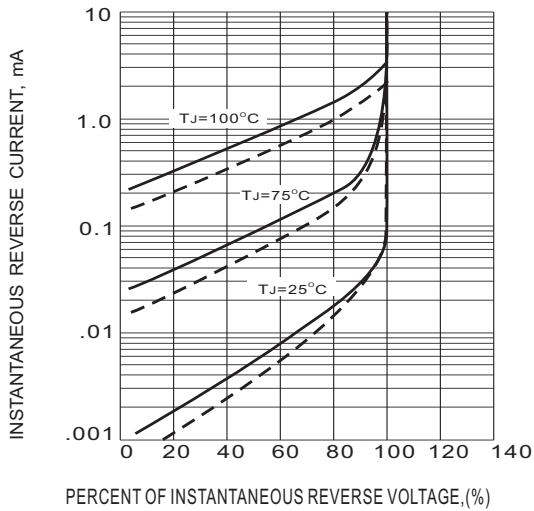


Fig.3- TYPICAL REVERSE CHARACTERISTICS

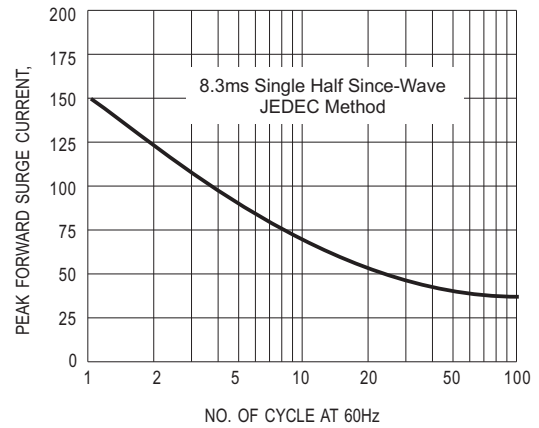


Fig.4- TYPICAL INSTANTANEOUS FORWARD CHARACTERISTICS



MBR1040CT~MBR10200CT

Part No_packing code_Version

MBR1040CT_T0_00001
 MBR1040CT_00001
 MBR1040CT_T0_10001
 MBR1040CT_10001

For example :

RB500V-40_R2_00001



| Packing Code XX | | | | Version Code XXXXX | | |
|--------------------------------------|----------------------|----------------------------------|----------------------|--------------------|----------------------|---------------------------------------|
| Packing type | 1 st Code | Packing size code | 2 nd Code | HF or RoHS | 1 st Code | 2 nd ~5 th Code |
| Tape and Ammunition Box (T/B) | A | N/A | 0 | HF | 0 | serial number |
| Tape and Reel (T/R) | R | 7" | 1 | RoHS | 1 | serial number |
| Bulk Packing (B/P) | B | 13" | 2 | | | |
| Tube Packing (T/P) | T | 26mm | X | | | |
| Tape and Reel (Right Oriented) (TRR) | S | 52mm | Y | | | |
| Tape and Reel (Left Oriented) (TRL) | L | PANASERT T/B CATHODE UP (PBCU) | U | | | |
| FORMING | F | PANASERT T/B CATHODE DOWN (PBCD) | D | | | |



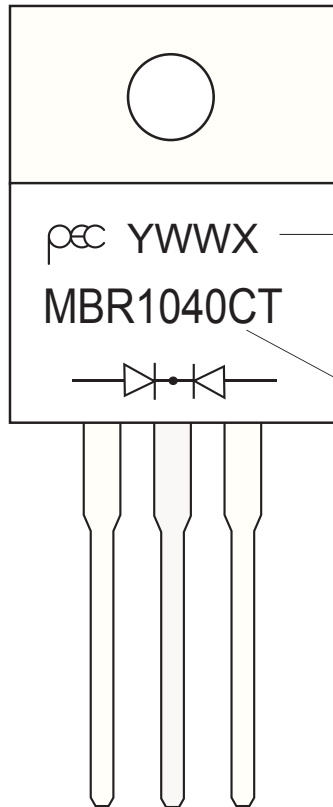
MBR1040CT~MBR10200CT

Disclaimer

- Reproducing and modifying information of the document is prohibited without permission from Panjit International Inc..
- Panjit International Inc. reserves the rights to make changes of the content herein the document anytime without notification. Please refer to our website for the latest document.
- Panjit International Inc. disclaims any and all liability arising out of the application or use of any product including damages incidentally and consequentially occurred.
- Panjit International Inc. does not assume any and all implied warranties, including warranties of fitness for particular purpose, non-infringement and merchantability.
- Applications shown on the herein document are examples of standard use and operation. Customers are responsible in comprehending the suitable use in particular applications. Panjit International Inc. makes no representation or warranty that such applications will be suitable for the specified use without further testing or modification.
- The products shown herein are not designed and authorized for equipments requiring high level of reliability or relating to human life and for any applications concerning life-saving or life-sustaining, such as medical instruments, transportation equipment, aerospace machinery et cetera. Customers using or selling these products for use in such applications do so at their own risk and agree to fully indemnify Panjit International Inc. for any damages resulting from such improper use or sale.
- Since Panjit uses lot number as the tracking base, please provide the lot number for tracking when complaining.



2. MARKING

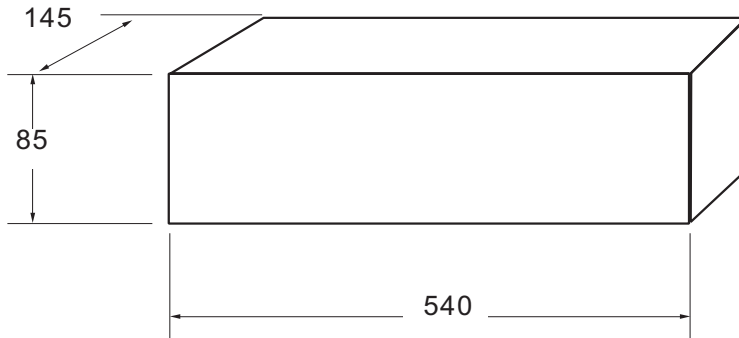


1st line: pcc - PanJit logo
Y- Last digit of calendar year
WW- Weekly
X- Production line
2nd line: Marking code



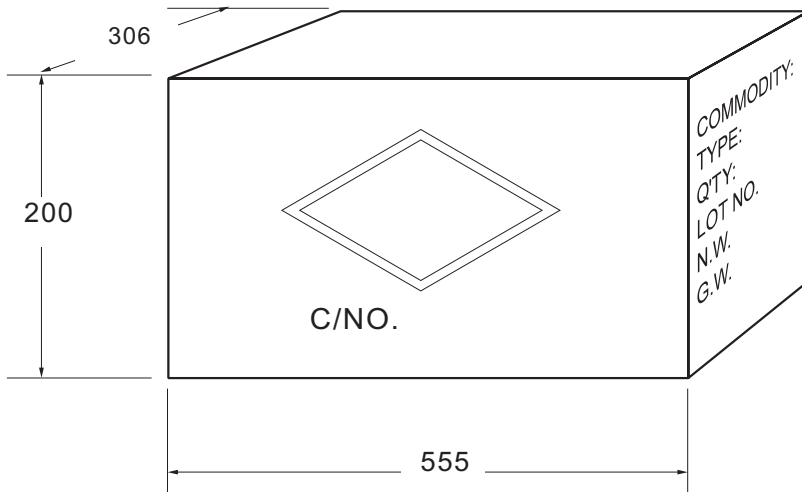
3. PACKING

INNER BOX



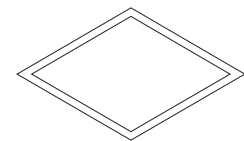
Box Dimensions : mm
Quantity per Carton: 2,000 pcs

CARTON



Box Dimensions : mm
Quantity per Box: 8,000 pcs

SHIPPING MARK



C/NO.
PRODUCT COUNTRY

SIDE MARK

COMMODITY:
TYPE:
Q'TY:
LOT NO.
N.W.
G.W.
PANJIT
INTERNATIONAL INC.



Packing Specifications

| Package | Reel Size | Reel | Component Space | Tape Space | Reel Dia | Carton Size | Carton | Approx. Gross Weight |
|---------------|-----------|--------|-----------------|------------|----------|-----------------|---------|----------------------|
| | (inch) | (pcs) | (m/m) | (m/m) | (m/m) | (m/m) | (EA) | (Kg) |
| Reel Packing | | | | | | | | |
| DFN 2L | 7 | 8,000 | 2 | 8 | 178 | 390 x 270 x 400 | 640,000 | 8.6 |
| DFN 3L | 7 | 8,000 | 2 | 8 | 178 | 390 x 270 x 400 | 640,000 | 8.6 |
| DFN 0603 | 7 | 10,000 | 2 | 8 | 178 | 390 x 270 x 400 | 800,000 | 9 |
| DFN1616-8L | 7 | 5,000 | 4 | 8 | 178 | 390 x 270 x 400 | 400,000 | 10.4 |
| | 13 | 12,000 | 4 | 8 | 330 | 375 x 360 x 213 | 144,000 | 7.6 |
| SOD-123 | 7 | 3,000 | 4 | 8 | 178 | 390 x 270 x 400 | 240,000 | 9.9 |
| | 13 | 10,000 | 4 | 8 | 330 | 375 x 360 x 213 | 120,000 | 6.5 |
| SOD-123FL | 7 | 3,000 | 4 | 8 | 178 | 390 x 270 x 400 | 240,000 | 10.6 |
| | 13 | 10,000 | 4 | 8 | 330 | 375 x 360 x 213 | 120,000 | 7.2 |
| SOD-123HE | 7 | 3,000 | 4 | 8 | 178 | 390 x 270 x 400 | 240,000 | 12.4 |
| | 13 | 10,000 | 4 | 8 | 330 | 375 x 360 x 213 | 120,000 | 8.1 |
| SOD-323 | 7 | 5,000 | 4 | 8 | 178 | 390 x 270 x 400 | 400,000 | 9.4 |
| | 13 | 12,000 | 4 | 8 | 330 | 375 x 360 x 213 | 144,000 | 5.9 |
| SOD-323HE | 7 | 5,000 | 4 | 8 | 178 | 390 x 270 x 400 | 400,000 | 11.9 |
| | 13 | 12,000 | 4 | 8 | 178 | 375 x 360 x 213 | 144,000 | 8.3 |
| SOD-523 | 7 | 5,000 | 4 | 8 | 178 | 390 x 270 x 400 | 400,000 | 9.1 |
| | 13 | 12,000 | 4 | 8 | 330 | 375 x 360 x 213 | 144,000 | 5.4 |
| SOD-723 | 7 | 8,000 | 2 | 8 | 178 | 390 x 270 x 400 | 640,000 | 8.5 |
| SOD-923 | 7 | 8,000 | 2 | 8 | 178 | 390 x 270 x 400 | 640,000 | 7.7 |
| SOT-23 | 7 | 3,000 | 4 | 8 | 178 | 390 x 270 x 400 | 240,000 | 9.8 |
| | 13 | 12,000 | 4 | 8 | 330 | 375 x 360 x 213 | 144,000 | 7 |
| SOT-23 (ESD) | 7 | 3,000 | 4 | 8 | 178 | 455 x 270 x 440 | 240,000 | 9.9 |
| SOT-23 5L | 7 | 3,000 | 4 | 8 | 178 | 390 x 270 x 400 | 240,000 | 14.5 |
| | 13 | 10,000 | 4 | 8 | 330 | 375 x 360 x 213 | 120,000 | 7.9 |
| SOT-23 6L | 7 | 3,000 | 4 | 8 | 178 | 390 x 270 x 400 | 240,000 | 14.5 |
| | 13 | 10,000 | 4 | 8 | 330 | 375 x 360 x 213 | 120,000 | 7.9 |
| SOT-323 | 7 | 3,000 | 4 | 8 | 178 | 390 x 270 x 400 | 240,000 | 7.9 |
| | 13 | 12,000 | 4 | 8 | 330 | 375 x 360 x 213 | 144,000 | 6.1 |
| SOT-323 (ESD) | 7 | 3,000 | 4 | 8 | 178 | 455 x 270 x 440 | 240,000 | 9.4 |
| SOT-353 | 7 | 3,000 | 4 | 8 | 178 | 390 x 270 x 400 | 240,000 | 10 |
| | 13 | 10,000 | 4 | 8 | 330 | 375 x 360 x 213 | 120,000 | 7.2 |
| SOT-363 | 7 | 3,000 | 4 | 8 | 178 | 390 x 270 x 400 | 240,000 | 10.2 |
| | 13 | 10,000 | 4 | 8 | 330 | 375 x 360 x 213 | 120,000 | 7.1 |
| SOT-363 (ESD) | 7 | 3,000 | 4 | 8 | 178 | 455 x 270 x 440 | 240,000 | 10 |
| SOT-523 | 7 | 4,000 | 4 | 8 | 178 | 390 x 270 x 400 | 320,000 | 10 |
| SOT-543 | 7 | 4,000 | 4 | 8 | 178 | 390 x 270 x 400 | 320,000 | 9.4 |
| | 13 | 10,000 | 4 | 8 | 330 | 375 x 360 x 213 | 120,000 | 5.2 |
| SOT-553 | 7 | 4,000 | 4 | 8 | 178 | 390 x 270 x 400 | 320,000 | 9.4 |
| | 13 | 10,000 | 4 | 8 | 330 | 375 x 360 x 213 | 120,000 | 5.2 |
| SOT-563 | 7 | 4,000 | 4 | 8 | 178 | 390 x 270 x 400 | 320,000 | 9.4 |
| | 13 | 10,000 | 4 | 8 | 330 | 375 x 360 x 213 | 120,000 | 5.2 |



Packing Specifications

| Package | Reel Size | Reel | Component Space | Tape Space | Reel Dia | Carton Size | Carton | Approx. Gross Weight |
|---------------------------|-----------|--------|-----------------|------------|----------|-----------------|---------|----------------------|
| | (inch) | (pcs) | (m/m) | (m/m) | (m/m) | (m/m) | (EA) | (Kg) |
| Reel Packing | | | | | | | | |
| A-405 | 13 | 5,000 | 5 | 52 | 330 | 340 x 340 x 410 | 25,000 | 7.79 |
| DO-15 | 13 | 4,000 | 5 | 52 | 330 | 340 x 340 x 410 | 20,000 | 11.4 |
| DO-201AD | 13 | 1,250 | 10 | 52 | 330 | 340 x 340 x 410 | 6,250 | 9.2 |
| DO-201AE | 13 | 1,250 | 10 | 52 | 330 | 340 x 340 x 410 | 6,250 | 9.2 |
| DO-34 | 15 | 10,000 | 5 | 52 | 360 | 360 x 360 x 395 | 50,000 | 10.1 |
| DO-35 | 15 | 10,000 | 5 | 52 | 360 | 360 x 360 x 395 | 50,000 | 11.2 |
| DO-41 | 13 | 5,000 | 5 | 52 | 330 | 340 x 340 x 410 | 25,000 | 11.1 |
| DO-41G | 15 | 5,000 | 5 | 52 | 360 | 360 x 360 x 395 | 25,000 | 10.9 |
| MDI | 13 | 3,000 | 8 | 12 | 330 | 375 x 360 x 390 | 48,000 | 14.7 |
| MELF/DL-41 | 7 | 1,500 | 4 | - | 178 | 385 x 380 x 260 | 84,000 | 18.3 |
| | 13 | 5,000 | 4 | - | 330 | 360 x 360 x 395 | 100,000 | 23.5 |
| MICRO-MELF | 7 | 2,500 | 4 | - | 178 | 385 x 380 x 260 | 200,000 | 9.3 |
| | 13 | 10,000 | 4 | - | 330 | 360 x 360 x 395 | 200,000 | 11.5 |
| MINI-MELF/LL-34 | 7 | 2,500 | 4 | - | 178 | 385 x 380 x 260 | 200,000 | 12.7 |
| | 13 | 10,000 | 4 | - | 330 | 360 x 360 x 395 | 200,000 | 14.6 |
| MICRO DIP/TDI | 7 | 1,000 | 8 | 12 | 178 | 390 x 240 x 420 | 40,000 | 9.5 |
| | 13 | 4,000 | 8 | 12 | 330 | 375 x 360 x 390 | 64,000 | 17 |
| P-600 | 13 | 800 | 10 | 52 | 330 | 340 x 340 x 410 | 4,000 | 9.9 |
| QUADRO-MELF | 13 | 10,000 | 4 | - | 330 | 360 x 360 x 395 | 200,000 | 14.9 |
| | 7 | 2,500 | 4 | - | 178 | 385 x 380 x 260 | 200,000 | 13.3 |
| R-1 | 13 | 5,000 | 5 | 52 | 330 | 340 x 340 x 410 | 25,000 | 7.8 |
| SDIP | 13 | 1,500 | 12 | 16 | 330 | 375 x 360 x 390 | 21,000 | 14.3 |
| SMA(W) | 7 | 1,800 | 4 | 12 | 178 | 390 x 240 x 420 | 100,800 | 13 |
| | 13 | 7,500 | 4 | 12 | 330 | 355 x 355 x 400 | 150,000 | 20.4 |
| SMA/DO-214AC | 7 | 1,800 | 4 | 12 | 178 | 390 x 240 x 420 | 72,000 | 10 |
| | 13 | 7,500 | 4 | 12 | 330 | 375 x 360 x 390 | 120,000 | 17.4 |
| SMAF | 7 | 3,000 | 4 | 12 | 178 | 390 x 240 x 420 | 120,000 | 10.9 |
| | 13 | 10,000 | 4 | 12 | 330 | 375 x 360 x 390 | 160,000 | 17.1 |
| SMBF | 13 | 5,000 | 8 | 12 | 330 | 375 x 360 x 390 | 80,000 | 15.6 |
| SMB/DO-214AA | 7 | 500 | 8 | 12 | 178 | 390 x 240 x 420 | 20,000 | 6.5 |
| | 13 | 3,000 | 8 | 12 | 330 | 375 x 360 x 390 | 48,000 | 13.2 |
| SMC/DO-214AB | 7 | 500 | 8 | 16 | 178 | 390 x 240 x 420 | 15,000 | 8.4 |
| | 13 | 3,000 | 8 | 16 | 330 | 375 x 360 x 390 | 42,000 | 18 |
| TO-252/DPAK | 13 | 3,000 | 8 | 16 | 330 | 375 x 360 x 390 | 42,000 | 18.8 |
| TO-263/D ² PAK | 13 | 800 | 16 | 24 | 330 | 375 x 360 x 390 | 6,400 | 14.5 |
| TO-277 | 13 | 5,000 | 8 | 12 | 330 | 375 x 360 x 390 | 80,000 | 20.6 |
| TO-277B | 13 | 5,000 | 8 | 12 | 330 | 375 x 360 x 390 | 80,000 | 21.8 |



Packing Specifications

| Package | Inner Box Size | Box | Carton Size | Carton | Approx. Gross Weight |
|----------------|----------------|-------|-----------------|---------|----------------------|
| | (m/m) | (EA) | (m/m) | (EA) | (Kg) |
| Bulk Packing | | | | | |
| A-405 | 198 x 84 x 20 | 1,000 | 459 x 214 x 256 | 50,000 | 12.7 |
| DO-15 | 200 x 85 x 25 | 1,000 | 459 x 214 x 256 | 40,000 | 20.7 |
| DO-201AD | 200 x 85 x 40 | 500 | 459 x 214 x 256 | 12,500 | 16 |
| DO-201AE | 200 x 85 x 40 | 500 | 495 x 214 x 256 | 12,500 | 16 |
| DO-34 | 240 x 100 x 90 | 2,000 | 406 x 335 x 257 | 120,000 | 14.5 |
| DO-35 | 240 x 100 x 90 | 2,000 | 406 x 335 x 257 | 120,000 | 17.1 |
| DO-41 | 198 x 84 x 20 | 1,000 | 459 x 214 x 256 | 50,000 | 19.3 |
| DO-41G | 240 x 100 x 90 | 1,000 | 406 x 335 x 257 | 60,000 | 18.5 |
| DIP | - | - | 459 x 214 x 256 | 12,000 | 6.5 |
| SDIP | - | - | 459 x 214 x 256 | 24,000 | 15.7 |
| R-1 | 198 x 84 x 20 | 1,000 | 459 x 214 x 256 | 50,000 | 12.7 |
| P-600 | 208 x 90 x 83 | 500 | 459 x 214 x 256 | 5,000 | 11.3 |
| ITO-220 | 540 x 145 x 85 | 2,000 | 555 x 306 x 200 | 8,000 | 20.5 |
| TO-220 | 540 x 145 x 85 | 2,000 | 555 x 306 x 200 | 8,000 | 22.9 |
| TO-251AB/DPAK | 555 x 145 x 95 | 8,400 | 572 x 306 x 218 | 33,600 | 22 |
| TO-3P/TO-247AD | - | - | 530 x 243 x 100 | 1,500 | 13.9 |
| TO-3PS/TO-247S | - | - | 511 x 243 x 107 | 1,500 | 12.2 |

| Package | Inner Box Size | Ammo | Component Space | Tape Space | Carton Size | Carton | Approx. Gross Weight |
|--------------------|----------------|-------|-----------------|------------|-----------------|---------|----------------------|
| | (m/m) | (pcs) | (m/m) | (m/m) | (m/m) | (EA) | (Kg) |
| Ammunition Packing | | | | | | | |
| A-405 | 255 x 47 x 150 | 5,000 | 5 | 26 | 339 x 276 x 330 | 60,000 | 12.4 |
| A-405 | 255 x 75 x 150 | 5,000 | 5 | 52 | 339 x 276 x 330 | 40,000 | 16 |
| DO-15 | 255 x 75 x 150 | 3,000 | 5 | 52 | 339 x 276 x 330 | 24,000 | 13.3 |
| DO-201AD | 255 x 47 x 122 | 1,250 | 10 | 52 | 339 x 276 x 330 | 10,000 | 13.4 |
| DO-201AE | 255 x 47 x 122 | 1,250 | 10 | 52 | 339 x 276 x 330 | 10,000 | 13.4 |
| DO-34 | 248 x 80 x 48 | 5,000 | 5 | 26 | 406 x 335 x 257 | 150,000 | 14.5 |
| DO-34 | 248 x 80 x 75 | 5,000 | 5 | 52 | 406 x 335 x 257 | 100,000 | 12.7 |
| DO-35 | 248 x 80 x 48 | 5,000 | 5 | 26 | 406 x 335 x 257 | 150,000 | 16.7 |
| DO-35 | 248 x 80 x 75 | 5,000 | 5 | 52 | 406 x 335 x 257 | 100,000 | 15.2 |
| DO-41 | 255 x 75 x 150 | 5,000 | 5 | 52 | 339 x 276 x 330 | 40,000 | 15.9 |
| DO-41G | 248 x 80 x 48 | 2,500 | 5 | 26 | 406 x 335 x 257 | 75,000 | 17.1 |
| DO-41G | 248 x 80 x 75 | 2,500 | 5 | 52 | 406 x 335 x 257 | 50,000 | 15.6 |
| P-600 | 255 x 47 x 122 | 400 | 10 | 52 | 339 x 276 x 330 | 3,200 | 8.1 |
| R-1 | 255 x 47 x 73 | 3,000 | 5 | 26 | 310 x 268 x 170 | 36,000 | 6.3 |
| R-1 | 255 x 73 x 73 | 3,000 | 5 | 52 | 310 x 268 x 170 | 24,000 | 6.3 |
| R-1 | 255 x 73 x 122 | 5,000 | 5 | 52 | 339 x 276 x 274 | 40,000 | 10.3 |

4.HIGH RELIABILITY TEST SPEC (Schottky & Switching & Rectifiers & Bridge)

Date : 2010.07.05 rev.01

| NO. | TEST ITEM | TEST CONDITION | REFERENCED DOCUMENT | LOT QUALITY LEVEL |
|-----|---|---|--|--|
| 1 | TEMPERATURE CYCLING (T.C.T) 溫度循環試驗 | Ta = -55+0°C / -10°C 10min(Min) Ta = +150+15°C / -0°C 10min(Min) FOR 20CYCLES | MIL-STD-750D METHOD-1051.5 Condition G | LTPD 10 S.S=22 ACCEPT FOR 0 FAILURE ONLY. |
| 2 | HIGH TEMPERATURE STORAGE LIFE (H.T.S.L) 高溫儲存壽命試驗 | Ta=Storage Temperature Range (device specified maximum temperature) | MIL-STD-750D METHOD-1032.2 | LTPD 10 S.S=22 ACCEPT FOR 0 FAILURE ONLY. |
| 3 | SOLDERABILITY TEST 錫錫性試驗 | Temperature of Solder TEMPERATURE OF SOLDER POT=245+/-5°C TIME FOR DIPPING IN SOLDER=5+/-0.5 SEC DIPPING DEPTH=0.05inch max from the body FOR ONE CYCLE | MIL-STD-750D METHOD-2026.10 | LTPD 7 S.S=32 ACCEPT FOR 0 FAILURE ONLY. |
| 4 | HIGH TEMPERATURE REVERSE BIAS (H.T.R.B) 高溫逆向偏壓 | Tj ≤ Tj max VR=0.8VR(CUSTOMER SPEC.) DC supply | MIL-STD-750D METHOD-1038.3 | LTPD 10 S.S=22 ACCEPT FOR 0 FAILURE ONLY. |
| 5 | CONTINUE FORWARD OPERATING LIFE(C.F.O.L) 連續通電 | Ta=25°C I=Io+/-10% DC supply | MIL-STD-750D METHOD 1027.3 | LTPD 10 S.S=22 ACCEPT FOR 0 FAILURE ONLY. |
| 6 | THERMAL SHOCK (T.S.T) 冷熱衝擊試驗 | HOT TANK Ta=100+10/-2°C t=5min COLD TANK Ta=0+2/-10°C t=5min 15 CYCLES TIME BETWEEN TRANSFERRING DO NOT EXCEED 10 SEC | MIL-STD-750D METHOD 1056.7 | LTPD 10 S.S=22 ACCEPT FOR 0 FAILURE ONLY. |
| 7 | PRESSURE COOKER (P.C.T) 壓力鍋試驗 | Ta=121°C P=29.7psia / 205kPa or 2.088kg/cm ² Relative Humidity = 100% | JEDEC JESD22-A102-C | LTPD 10 S.S=22 ACCEPT FOR 0 FAILURE ONLY. |
| 8 | INTERMITTENT FORWARD OPERATING LIFE (I.F.O.L) 斷續通電 | I=Io×1.0 DC supply POWER ON: at least 30 SEC POWER OFF: 50 SEC TESTING CYCLE: 2000CYCLES | MIL-STD-750D METHOD 1036.3 | LTPD 10 S.S=22 ACCEPT FOR 0 FAILURE ONLY. |
| 9 | FORWARD SURGE CURRENT 順向突波電流測試 | SQ WAVE OR SINE WAVE IFSM=DATE SHEET SPEC. TIME=Single half sine wave T=1 CYCLE | MIL-STD-750D METHOD 4066-3 | LTPD 10 S.S=22 ACCEPT FOR 0 FAILURE ONLY. |
| 10 | HUMIDITY 恆溫濕試驗 | Ta=85+/-2°C RH=85+/-5% | EIAJ ED-4701 METHOD 103 | LTPD 10 S.S=22 ACCEPT FOR 0 FAILURE ONLY. |
| 11 | SOLDER RESISTANCE 錫錫耐熱性試驗 | TEMPERATURE OF SOLDER POT=260+/-5°C TIME FOR DIPPING IN SOLDER=10+2/-0 SEC DIPPING DEPTH=1.57+/-0.79mm FROM THE BODY FOR ONE CYCLE | MIL-STD-750D METHOD 2031.2 | LTPD 10 S.S=22 ACCEPT FOR 0 FAILURE ONLY. |