



**TABLE OF CONTENTS**

1.DATA SHEET

PAGE 1

2.MARKING

PAGE 6

3.TAPING

PAGE 7

4.PACKING

PAGE 8

5.HIGH RELIABILITY TEST SPEC.

PAGE 12



# MMSZ4690TS

## SURFACE MOUNT SILICON ZENER DIODES

**VOLTAGE**

**5.6 Volt**

**POWER**

**150 mWatt**

**SOD-523**

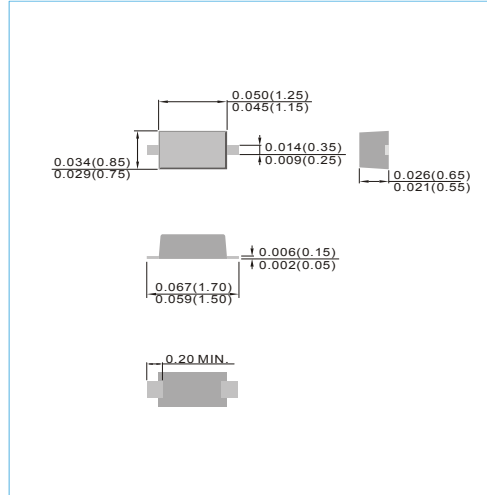
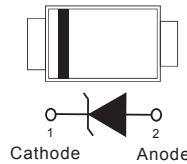
Unit : inch(mm)

### FEATURES

- Planar Die construction
- 150mW Power Dissipation
- Ideally Suited for Automated Assembly Processes
- Lead free in comply with EU RoHS 2011/65/EU directives
- Green molding compound as per IEC61249 Std. . (Halogen Free)

### MECHANICAL DATA

- Case: SOD-523, Molded Plastic
- Terminals: Solderable per MIL-STD-750, Method 2026
- Approx. Weight: 0.00005 ounces, 0.0014 grams



## MAXIMUM RATINGS AND ELECTRICAL CHARACTERISTICS

| Parameter  | Symbol          | Value       | Units |
|--|-----------------|-------------|-------|
| Maximum Power Dissipation (Note 1)               | $P_D$           | 150         | mW    |
| Typical Thermal Resistance                       | $R_{\theta JA}$ | 833         | °C/W  |
| Operating Junction and Storage Temperature Range | $T_J, T_{STG}$  | -55 to +150 | °C    |

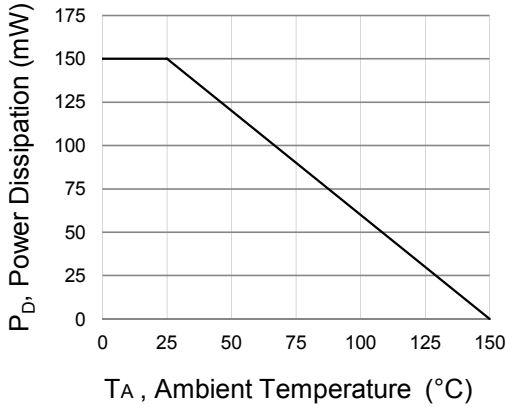
### NOTES:

1. Mounted on a FR4 PCB, single-sided copper, mini pad.

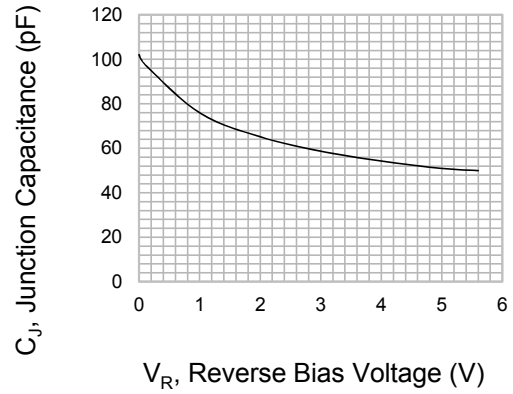
| Nominal Zener Voltage |        |        | Max. Zener Impedance | Max Reverse Leakage Current |   | Marking Code |
|-----------------------|--------|--------|----------------------|-----------------------------|---|--------------|
| $V_Z @ I_{ZT}$        |        |        | $I_{ZT}$             | $I_R @ V_R$                 |   |              |
| Nom. V                | Min. V | Max. V | mA                   | $\mu A$                     | V |              |
| 5.6                   | 5.32   | 5.88   | 0.05                 | 10                          | 4 | CV           |



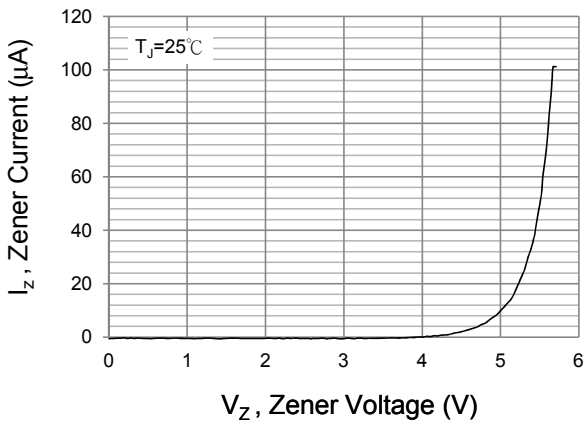
# MMSZ4690TS



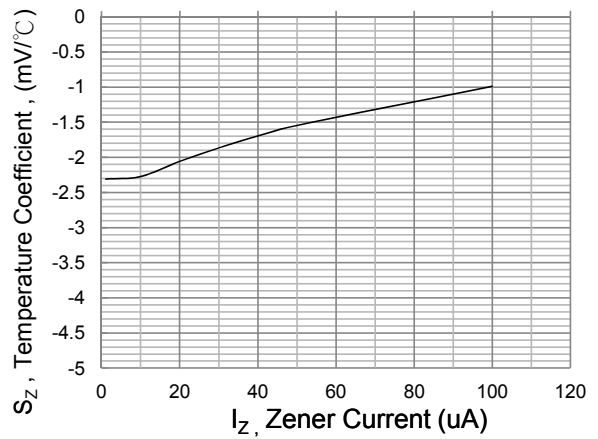
**Fig.1 Steady-State Power Derating Curve**



**Fig.2 Typical Junction Capacitance**



**Fig.3 Typical Zener Breakdown Characteristics**



**Fig.4 Temperature Coefficient as a Function of Working Current ; Typical values**

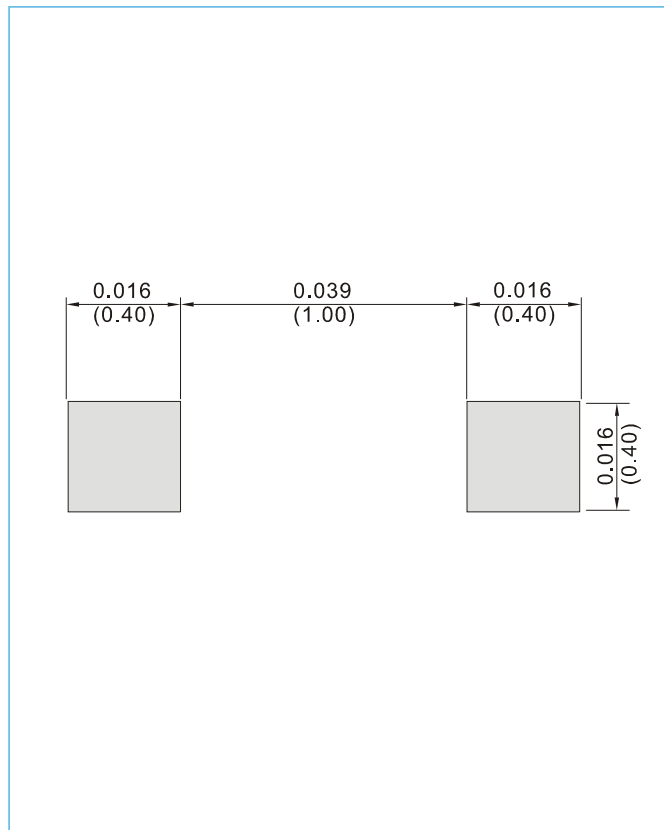


# MMSZ4690TS

## MOUNTING PAD LAYOUT

SOD-523

Unit : inch(mm)



## ORDER INFORMATION

- Packing information  
T/R - 12K per 13" plastic Reel  
T/R - 5K per 7" plastic Reel



# MMSZ4690TS

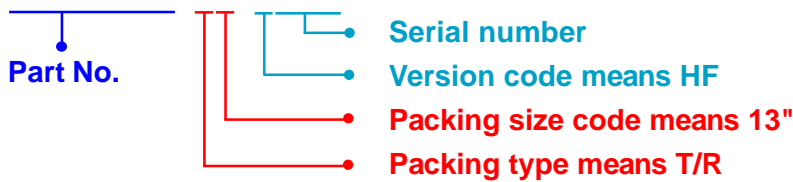
## Part No\_packing code\_Version

MMSZ4690TS\_R1\_00001

MMSZ4690TS\_R2\_00001

For example :

**RB500V-40\_R2\_00001**



| Packing Code <b>XX</b>               |                      |                                  |                      | Version Code <b>XXXXX</b> |                      |                                       |
|--------------------------------------|----------------------|----------------------------------|----------------------|---------------------------|----------------------|---------------------------------------|
| Packing type                         | 1 <sup>st</sup> Code | Packing size code                | 2 <sup>nd</sup> Code | HF or RoHS                | 1 <sup>st</sup> Code | 2 <sup>nd</sup> ~5 <sup>th</sup> Code |
| Tape and Ammunition Box (T/B)        | A                    | N/A                              | 0                    | HF                        | 0                    | serial number                         |
| Tape and Reel (T/R)                  | R                    | 7"                               | 1                    | RoHS                      | 1                    | serial number                         |
| Bulk Packing (B/P)                   | B                    | 13"                              | 2                    |                           |                      |                                       |
| Tube Packing (T/P)                   | T                    | 26mm                             | X                    |                           |                      |                                       |
| Tape and Reel (Right Oriented) (TRR) | S                    | 52mm                             | Y                    |                           |                      |                                       |
| Tape and Reel (Left Oriented) (TRL)  | L                    | PANASERT T/B CATHODE UP (PBCU)   | U                    |                           |                      |                                       |
| FORMING                              | F                    | PANASERT T/B CATHODE DOWN (PBCD) | D                    |                           |                      |                                       |



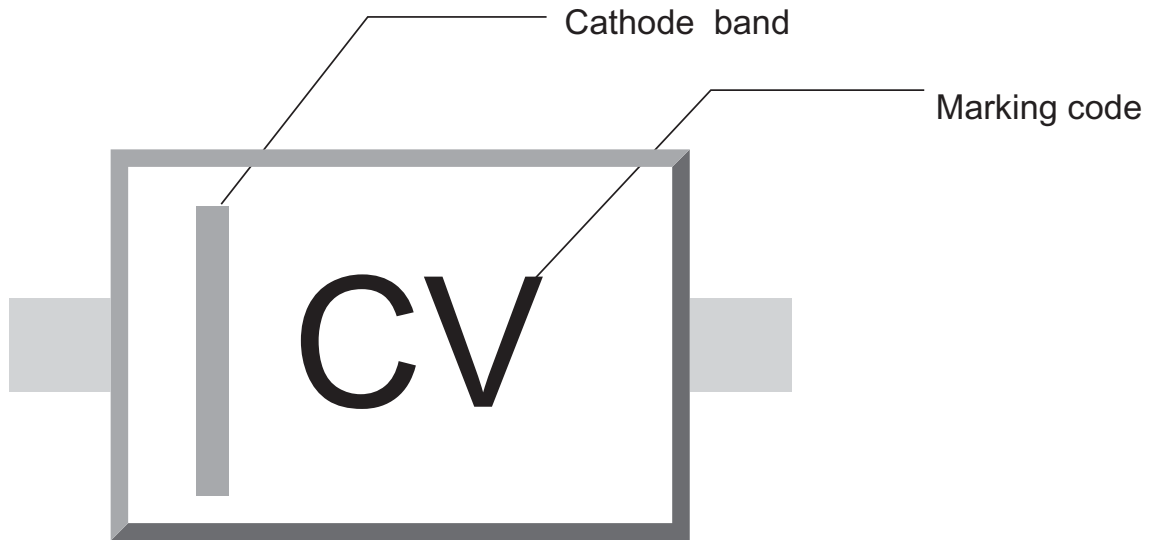
## MMSZ4690TS

### Disclaimer

- Reproducing and modifying information of the document is prohibited without permission from Panjit International Inc..
- Panjit International Inc. reserves the rights to make changes of the content herein the document anytime without notification. Please refer to our website for the latest document.
- Panjit International Inc. disclaims any and all liability arising out of the application or use of any product including damages incidentally and consequentially occurred.
- Panjit International Inc. does not assume any and all implied warranties, including warranties of fitness for particular purpose, non-infringement and merchantability.
- Applications shown on the herein document are examples of standard use and operation. Customers are responsible in comprehending the suitable use in particular applications. Panjit International Inc. makes no representation or warranty that such applications will be suitable for the specified use without further testing or modification.
- The products shown herein are not designed and authorized for equipments requiring high level of reliability or relating to human life and for any applications concerning life-saving or life-sustaining, such as medical instruments, transportation equipment, aerospace machinery et cetera. Customers using or selling these products for use in such applications do so at their own risk and agree to fully indemnify Panjit International Inc. for any damages resulting from such improper use or sale.
- Since Panjit uses lot number as the tracking base, please provide the lot number for tracking when complaining.

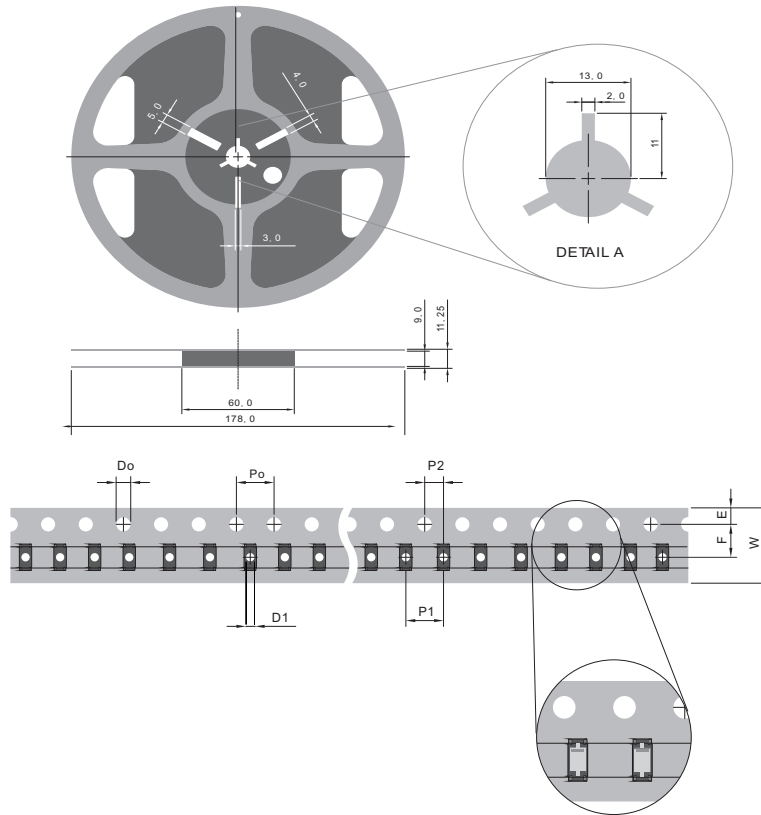


## 2. MARKING





### 3. TAPING



| SYMBOL   | mm (inch)                                     |
|----------|---|
| TYPESIZE | 8.00 (0.315)                                  |
| D0       | 1.50 ± 0.10(0.059 ± 0.004)                    |
| D1       | 0.50 ± 0.25(0.020 ± 0.01)                     |
| E        | 1.75 ± 0.10(0.069 ± 0.004)                    |
| F        | 3.50 + 0.05(0.137 ± 0.002)                    |
| Po       | 4.00 ± 0.10(0.157 ± 0.004)                    |
| P1       | 4.00 ± 0.10(0.157 ± 0.004)                    |
| P2       | 2.00 ± 0.05(0.079 ± 0.002)                    |
| W        | 8.00 + 0.3 / - 0.15 (0.315 + 0.012 / - 0.006) |

NOTE:

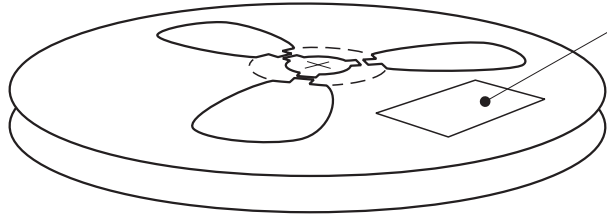
1. There shall be leader of 230 mm minimum which may consist of carrier and or cover tape followed by a minimum of 160 mm of carrier tape sealed with cover tape.
2. There shall be minimum of 160 mm of empty component pockets sealed with cover tape.
3. Devices are packed in accordance with EIA standard EIA-481-A and specifications given above.





## 4. PACKING

### REEL PACKING

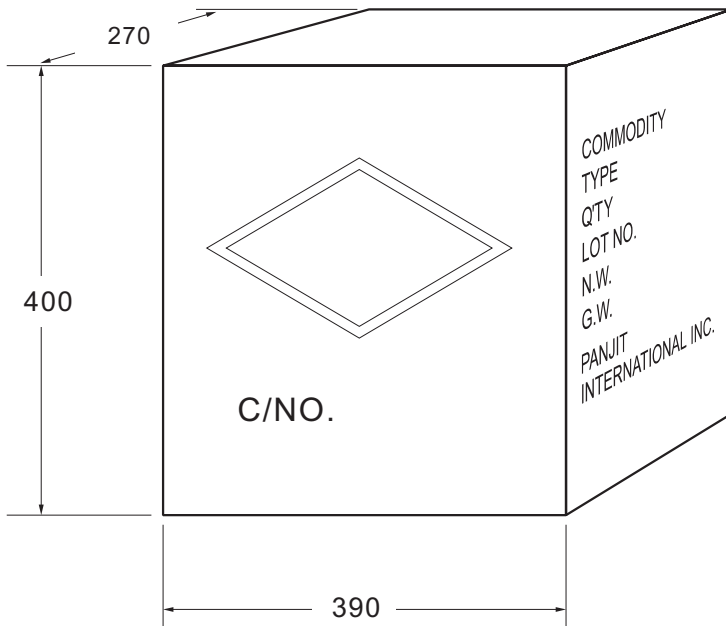


Quantity per Reel: 5,000 pcs

#### LABEL TYPE

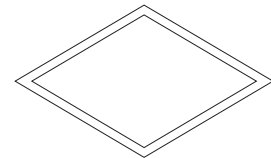
|          |     |               |
|----------|-----|---------------|
| TYPE:    |     | <b>PANJIT</b> |
| MARKING: |     |               |
| PART NO: |     |               |
| LOT NO:  |     |               |
| QTY:     | DC: |               |

### CARTON



Box Dimensions : mm  
Quantity per Box: 400,000pcs

#### SHIPPING MARK



C/NO.  
PRODUCT COUNTRY

#### SIDE MARK

COMMODITY:  
TYPE:  
Q'TY:  
LOT NO.  
N.W.  
G.W.  
PANJIT  
INTERNATIONAL INC.



**Packing Specifications**

| Package       | Reel Size | Reel   | Component Space | Tape Space | Reel Dia | Carton Size     | Carton  | Approx. Gross Weight |
|---------------|-----------|--------|-----------------|------------|----------|-----------------|---------|----------------------|
|               | (inch)    | (pcs)  | (m/m)           | (m/m)      | (m/m)    | (m/m)           | (EA)    | (Kg)                 |
| Reel Packing  |           |        |                 |            |          |                 |         |                      |
| DFN 0603      | 7         | 10,000 | 2               | 8          | 178      | 390 x 270 x 400 | 800,000 | 9                    |
| DFN 2L        | 7         | 8,000  | 2               | 8          | 178      | 390 x 270 x 400 | 640,000 | 8.6                  |
| DFN 3L        | 7         | 8,000  | 2               | 8          | 178      | 390 x 270 x 400 | 640,000 | 8.6                  |
| DFN1616-8L    | 7         | 5,000  | 4               | 8          | 178      | 390 x 270 x 400 | 400,000 | 10.4                 |
|               | 13        | 12,000 | 4               | 8          | 330      | 375 x 360 x 230 | 144,000 | 7.6                  |
| SOD-923       | 7         | 8,000  | 2               | 8          | 178      | 390 x 270 x 400 | 640,000 | 7.7                  |
| SOD-523       | 7         | 5,000  | 4               | 8          | 178      | 390 x 270 x 400 | 400,000 | 9.1                  |
|               | 13        | 12,000 | 4               | 8          | 330      | 375 x 360 x 230 | 144,000 | 5.4                  |
| SOD-323HE     | 7         | 5,000  | 4               | 8          | 178      | 390 x 270 x 400 | 400,000 | 11.9                 |
|               | 13        | 12,000 | 4               | 8          | 178      | 375 x 360 x 230 | 144,000 | 8.3                  |
| SOD-323       | 7         | 5,000  | 4               | 8          | 178      | 390 x 270 x 400 | 400,000 | 9.4                  |
|               | 13        | 12,000 | 4               | 8          | 330      | 375 x 360 x 230 | 144,000 | 5.9                  |
| SOD-123HE     | 7         | 3,000  | 4               | 8          | 178      | 390 x 270 x 400 | 240,000 | 12.4                 |
|               | 13        | 10,000 | 4               | 8          | 330      | 375 x 360 x 230 | 120,000 | 8.1                  |
| SOD-123FL     | 7         | 3,000  | 4               | 8          | 178      | 390 x 270 x 400 | 240,000 | 10.6                 |
|               | 13        | 10,000 | 4               | 8          | 330      | 375 x 360 x 230 | 120,000 | 7.2                  |
| SOD-123       | 7         | 3,000  | 4               | 8          | 178      | 390 x 270 x 400 | 240,000 | 9.9                  |
|               | 13        | 10,000 | 4               | 8          | 330      | 375 x 360 x 230 | 120,000 | 6.5                  |
| SOT-563       | 7         | 4,000  | 4               | 8          | 178      | 390 x 270 x 400 | 320,000 | 9.4                  |
|               | 13        | 10,000 | 4               | 8          | 330      | 375 x 360 x 230 | 120,000 | 5.2                  |
| SOT-553       | 7         | 4,000  | 4               | 8          | 178      | 390 x 270 x 400 | 320,000 | 9.4                  |
|               | 13        | 10,000 | 4               | 8          | 330      | 375 x 360 x 230 | 120,000 | 5.2                  |
| SOT-543       | 7         | 4,000  | 4               | 8          | 178      | 390 x 270 x 400 | 320,000 | 9.4                  |
|               | 13        | 10,000 | 4               | 8          | 330      | 375 x 360 x 230 | 120,000 | 5.2                  |
| SOT-523       | 7         | 4,000  | 4               | 8          | 178      | 390 x 270 x 400 | 320,000 | 10                   |
| SOT-363       | 7         | 3,000  | 4               | 8          | 178      | 390 x 270 x 400 | 240,000 | 10.2                 |
|               | 13        | 10,000 | 4               | 8          | 330      | 375 x 360 x 230 | 120,000 | 7.1                  |
| SOT-363 (ESD) | 7         | 3,000  | 4               | 8          | 178      | 455 x 270 x 440 | 240,000 | 10                   |
| SOT-353       | 7         | 3,000  | 4               | 8          | 178      | 390 x 270 x 400 | 240,000 | 10                   |
|               | 13        | 10,000 | 4               | 8          | 330      | 375 x 360 x 230 | 120,000 | 7.2                  |
| SOT-23 6L     | 7         | 3,000  | 4               | 8          | 178      | 390 x 270 x 400 | 240,000 | 14.5                 |
|               | 13        | 10,000 | 4               | 8          | 330      | 375 x 360 x 230 | 120,000 | 7.9                  |
| SOT-23 6L-1   | 7         | 3,000  | 4               | 8          | 178      | 390 x 270 x 400 | 240,000 | 14.5                 |
|               | 13        | 10,000 | 4               | 8          | 330      | 375 x 360 x 230 | 120,000 | 7.9                  |
| SOT-23 5L     | 7         | 3,000  | 4               | 8          | 178      | 390 x 270 x 400 | 240,000 | 14.5                 |
|               | 13        | 10,000 | 4               | 8          | 330      | 375 x 360 x 230 | 120,000 | 7.9                  |
| SOT-323       | 7         | 3,000  | 4               | 8          | 178      | 390 x 270 x 400 | 240,000 | 7.9                  |
|               | 13        | 12,000 | 4               | 8          | 330      | 375 x 360 x 230 | 144,000 | 6.1                  |
| SOT-323 (ESD) | 7         | 3,000  | 4               | 8          | 178      | 455 x 270 x 440 | 240,000 | 9.4                  |
| SOT-23-1      | 7         | 3,000  | 4               | 8          | 178      | 390 x 270 x 400 | 240,000 | 9.8                  |
|               | 13        | 12,000 | 4               | 8          | 330      | 375 x 360 x 230 | 144,000 | 7                    |
| SOT-23        | 7         | 3,000  | 4               | 8          | 178      | 390 x 270 x 400 | 240,000 | 9.8                  |
|               | 13        | 12,000 | 4               | 8          | 330      | 375 x 360 x 230 | 144,000 | 7                    |
| SOT-23 (ESD)  | 7         | 3,000  | 4               | 8          | 178      | 455 x 270 x 440 | 240,000 | 9.9                  |



### Packing Specifications

| Package                   | Reel Size | Reel   | Component Space | Tape Space | Reel Dia | Carton Size     | Carton  | Approx. Gross Weight |
|---------------------------|-----------|--------|-----------------|------------|----------|-----------------|---------|----------------------|
|                           | (inch)    | (pcs)  | (m/m)           | (m/m)      | (m/m)    | (m/m)           | (EA)    | (Kg)                 |
| Reel Packing              |           |        |                 |            |          |                 |         |                      |
| SMAF                      | 7         | 3,000  | 4               | 12         | 178      | 390 x 240 x 420 | 120,000 | 10.9                 |
|                           | 13        | 10,000 | 4               | 12         | 330      | 375 x 360 x 422 | 160,000 | 17.1                 |
| SMBF                      | 13        | 5,000  | 8               | 12         | 330      | 375 x 360 x 422 | 80,000  | 15.6                 |
| SMA(W)                    | 7         | 1,800  | 4               | 12         | 178      | 390 x 240 x 420 | 100,800 | 13                   |
|                           | 13        | 7,500  | 4               | 12         | 330      | 355 x 355 x 400 | 150,000 | 20.4                 |
| SMA/DO-214AC              | 7         | 1,800  | 4               | 12         | 178      | 390 x 240 x 420 | 72,000  | 10                   |
|                           | 13        | 7,500  | 4               | 12         | 330      | 375 x 360 x 390 | 120,000 | 17.4                 |
| SMB/DO-214AA              | 7         | 500    | 8               | 12         | 178      | 390 x 240 x 420 | 20,000  | 6.5                  |
|                           | 13        | 3,000  | 8               | 12         | 330      | 375 x 360 x 390 | 48,000  | 13.2                 |
| SMC/DO-214AB              | 7         | 500    | 8               | 16         | 178      | 390 x 240 x 420 | 15,000  | 8.4                  |
|                           | 13        | 3,000  | 8               | 16         | 330      | 375 x 360 x 390 | 42,000  | 18                   |
| R-1                       | 13        | 5,000  | 5               | 52         | 330      | 340 x 340 x 410 | 25,000  | 7.8                  |
| A-405                     | 13        | 5,000  | 5               | 52         | 330      | 340 x 340 x 410 | 25,000  | 7.79                 |
| DO-41                     | 13        | 5,000  | 5               | 52         | 330      | 340 x 340 x 410 | 25,000  | 11.1                 |
| DO-15                     | 13        | 4,000  | 5               | 52         | 330      | 340 x 340 x 410 | 20,000  | 11.4                 |
| DO-201AD                  | 13        | 1,250  | 10              | 52         | 330      | 340 x 340 x 410 | 6,250   | 9.2                  |
| DO-201AE                  | 13        | 1,250  | 10              | 52         | 330      | 340 x 340 x 410 | 6,250   | 9.2                  |
| P-600                     | 13        | 800    | 10              | 52         | 330      | 340 x 340 x 410 | 4,000   | 9.9                  |
| DO-34                     | 15        | 10,000 | 5               | 52         | 360      | 360 x 360 x 395 | 50,000  | 10.1                 |
| DO-35                     | 15        | 10,000 | 5               | 52         | 360      | 360 x 360 x 395 | 50,000  | 11.2                 |
| DO-41G                    | 15        | 5,000  | 5               | 52         | 360      | 360 x 360 x 395 | 25,000  | 10.9                 |
| MICRO-MELF                | 7         | 2,500  | 4               | -          | 178      | 385 x 380 x 260 | 200,000 | 9.3                  |
|                           | 13        | 10,000 | 4               | -          | 330      | 360 x 360 x 395 | 200,000 | 11.5                 |
| QUADRO-MELF               | 13        | 10,000 | 4               | -          | 330      | 360 x 360 x 395 | 200,000 | 14.9                 |
|                           | 7         | 2,500  | 4               | -          | 178      | 385 x 380 x 260 | 200,000 | 13.3                 |
| MINI-MELF/LL-34           | 7         | 2,500  | 4               | -          | 178      | 385 x 380 x 260 | 200,000 | 12.7                 |
|                           | 13        | 10,000 | 4               | -          | 330      | 360 x 360 x 395 | 200,000 | 14.6                 |
| MELF/DL-41                | 7         | 1,500  | 4               | -          | 178      | 385 x 380 x 260 | 84,000  | 18.3                 |
|                           | 13        | 5,000  | 4               | -          | 330      | 360 x 360 x 395 | 100,000 | 23.5                 |
| MDI                       | 13        | 3,000  | 8               | 12         | 330      | 375 x 360 x 390 | 48,000  | 14.7                 |
| MICRO DIP/TDI             | 7         | 1,000  | 8               | 12         | 178      | 390 x 240 x 420 | 40,000  | 9.5                  |
|                           | 13        | 4,000  | 8               | 12         | 330      | 375 x 360 x 422 | 64,000  | 17                   |
| SDIP                      | 13        | 1,500  | 12              | 16         | 330      | 375 x 360 x 390 | 21,000  | 14.3                 |
| TO-277                    | 13        | 5,000  | 8               | 12         | 330      | 375 x 360 x 422 | 80,000  | 20.6                 |
| TO-277B                   | 13        | 5,000  | 8               | 12         | 330      | 375 x 360 x 390 | 80,000  | 21.8                 |
| TO-252/DPAK               | 13        | 3,000  | 8               | 16         | 330      | 375 x 360 x 422 | 42,000  | 18.8                 |
| TO-263/D <sup>2</sup> PAK | 13        | 800    | 16              | 24         | 330      | 375 x 360 x 422 | 6,400   | 14.5                 |



### Packing Specifications

| Package        | Inner Box Size | Box   | Carton Size     | Carton  | Approx. Gross Weight |
|----------------|----------------|-------|-----------------|---------|----------------------|
|                | (m/m)          | (EA)  | (m/m)           | (EA)    | (Kg)                 |
| Bulk Packing   |                |       |                 |         |                      |
| R-1            | 198 x 84 x 20  | 1,000 | 459 x 214 x 256 | 50,000  | 12.7                 |
| A-405          | 198 x 84 x 20  | 1,000 | 459 x 214 x 256 | 50,000  | 12.7                 |
| DO-41          | 198 x 84 x 20  | 1,000 | 459 x 214 x 256 | 50,000  | 19.3                 |
| DO-15          | 200 x 85 x 25  | 1,000 | 459 x 214 x 256 | 40,000  | 20.7                 |
| DO-201AD       | 200 x 85 x 40  | 500   | 459 x 214 x 256 | 12,500  | 16                   |
| DO-201AE       | 200 x 85 x 40  | 500   | 495 x 214 x 256 | 12,500  | 16                   |
| P-600          | 208 x 90 x 83  | 500   | 459 x 214 x 256 | 5,000   | 11.3                 |
| DO-34          | 240 x 100 x 90 | 2,000 | 406 x 335 x 257 | 120,000 | 14.5                 |
| DO-35          | 240 x 100 x 90 | 2,000 | 406 x 335 x 257 | 120,000 | 17.1                 |
| DO-41G         | 240 x 100 x 90 | 1,000 | 406 x 335 x 257 | 60,000  | 18.5                 |
| TO-220         | 540 x 145 x 85 | 2,000 | 555 x 306 x 200 | 8,000   | 22.9                 |
| ITO-220        | 540 x 145 x 85 | 2,000 | 555 x 306 x 200 | 8,000   | 20.5                 |
| TO-251AB/DPAK  | 555 x 145 x 95 | 8,400 | 572 x 306 x 218 | 33,600  | 22                   |
| TO-3PN         | -              | -     | 600x185x230     | 1,800   | 16.4                 |
| TO-247AD/TO-3P | -              | -     | 530 x 243 x 100 | 1,500   | 13.9                 |
| TO-247S/TO-3PS | -              | -     | 511 x 243 x 107 | 1,500   | 12.2                 |
| DIP            | -              | -     | 459 x 214 x 256 | 12,000  | 6.5                  |
| SDIP           | -              | -     | 459 x 214 x 256 | 24,000  | 15.7                 |

| Package            | Inner Box Size | Ammo  | Component Space | Tape Space | Carton Size     | Carton  | Approx. Gross Weight |
|--------------------|----------------|-------|-----------------|------------|-----------------|---------|----------------------|
|                    | (m/m)          | (pcs) | (m/m)           | (m/m)      | (m/m)           | (EA)    | (Kg)                 |
| Ammunition Packing |                |       |                 |            |                 |         |                      |
| R-1                | 255 x 47 x 73  | 3,000 | 5               | 26         | 310 x 268 x 170 | 36,000  | 6.3                  |
|                    | 255 x 73 x 73  | 3,000 | 5               | 52         | 310 x 268 x 170 | 24,000  | 6.3                  |
|                    | 255 x 73 x 122 | 5,000 | 5               | 52         | 339 x 276 x 274 | 40,000  | 10.3                 |
| A-405              | 255 x 47 x 150 | 5,000 | 5               | 26         | 339 x 276 x 330 | 60,000  | 12.4                 |
|                    | 255 x 75 x 150 | 5,000 | 5               | 52         | 339 x 276 x 330 | 40,000  | 16                   |
| DO-41              | 255 x 75 x 150 | 5,000 | 5               | 52         | 339 x 276 x 330 | 40,000  | 15.9                 |
| DO-15              | 255 x 75 x 150 | 3,000 | 5               | 52         | 339 x 276 x 330 | 24,000  | 13.3                 |
| DO-201AD           | 255 x 47 x 122 | 1,250 | 10              | 52         | 339 x 276 x 330 | 10,000  | 13.4                 |
| DO-201AE           | 255 x 47 x 122 | 1,250 | 10              | 52         | 339 x 276 x 330 | 10,000  | 13.4                 |
| P-600              | 255 x 47 x 122 | 400   | 10              | 52         | 339 x 276 x 330 | 3,200   | 8.1                  |
| DO-34              | 248 x 80 x 48  | 5,000 | 5               | 26         | 406 x 335 x 257 | 150,000 | 14.5                 |
|                    | 248 x 80 x 75  | 5,000 | 5               | 52         | 406 x 335 x 257 | 100,000 | 12.7                 |
| DO-35              | 248 x 80 x 48  | 5,000 | 5               | 26         | 406 x 335 x 257 | 150,000 | 16.7                 |
|                    | 248 x 80 x 75  | 5,000 | 5               | 52         | 406 x 335 x 257 | 100,000 | 15.2                 |
| DO-41G             | 248 x 80 x 48  | 2,500 | 5               | 26         | 406 x 335 x 257 | 75,000  | 17.1                 |
|                    | 248 x 80 x 75  | 2,500 | 5               | 52         | 406 x 335 x 257 | 50,000  | 15.6                 |

# 5.HIGH RELIABILITY TEST SPEC ( Zener & TVS )

Date : 2010.07.05 rev.01

| NO. | TEST ITEM   | TEST CONDITION  | REFERENCED DOCUMENT                          | LOT QUALITY LEVEL                                   |
|-----|---|---|--|---|
| 1   | TEMPERATURE CYCLING (T.C.T)<br>溫度循環試驗               | Ta = -55+0°C / -10°C 10min(Min)<br>Ta = +150+15°C / -0°C 10min(Min)<br>FOR 20CYCLES   | MIL-STD-750D<br>METHOD-1051.5<br>Condition G | LTPD 10<br>S.S =22<br>ACCEPT FOR 0<br>FAILURE ONLY. |
| 2   | HIGH TEMPERATURE STORAGE LIFE (H.T.S.L)<br>高溫儲存壽命試驗 | Ta = Storage Temperature Range<br>(device specified maximum temperature)  | MIL-STD-750D<br>METHOD-1032.2                | LTPD 10<br>S.S =22<br>ACCEPT FOR 0<br>FAILURE ONLY. |
| 3   | SOLDERABILITY TEST<br>錫錫性試驗                         | Temperature of Solder<br>TEMPERATURE OF SOLDER POT = 245 +/- 5°C<br>TIME FOR DIPPING IN SOLDER = 5 +/- 0.5 SEC<br>DIPPING DEPTH = 0.05inch max from the body<br>FOR ONE CYCLE | MIL-STD-750D<br>METHOD-2026.10               | LTPD 7<br>S.S =32<br>ACCEPT FOR 0<br>FAILURE ONLY.  |
| 4   | HIGH TEMPERATURE REVERSE BIAS (H.T.R.B)<br>高溫逆向偏壓   | Tj ≤ Tj max<br>VR = 0.8VR (CUSTOMER SPEC.) DC supply  | MIL-STD-750D<br>METHOD-1038.3                | LTPD 10<br>S.S =22<br>ACCEPT FOR 0<br>FAILURE ONLY. |
| 6   | THERMAL SHOCK (T.S.T)<br>冷熱衝擊試驗                     | HOT TANK Ta = 100 + 10 / - 2°C t = 5min<br>COLD TANK Ta = 0 + 2 / - 10°C t = 5min<br>15 CYCLES<br>TIME BETWEEN TRANSFERRING<br>DO NOT EXCEED 10 SEC                           | MIL-STD-750D<br>METHOD 1056.7                | LTPD 10<br>S.S =22<br>ACCEPT FOR 0<br>FAILURE ONLY. |
| 7   | PRESSURE COOKER (P.C.T)<br>壓力鍋試驗                    | Ta = 121°C<br>P = 29.7psia / 205kPa or 2.088kg/cm <sup>2</sup><br>Relative Humidity = 100%  | JEDEC<br>JESD22-A102-C                       | LTPD 10<br>S.S =22<br>ACCEPT FOR 0<br>FAILURE ONLY. |
| 8   | HUMIDITY<br>恆溫濕試驗                                   | Ta = 85 +/- 2°C<br>RH = 85 +/- 5%   | EIAJ ED-4701<br>METHOD 103                   | LTPD 10<br>S.S =22<br>ACCEPT FOR 0<br>FAILURE ONLY. |
| 9   | SOLDER RESISTANCE<br>錫錫耐熱性試驗                        | TEMPERATURE OF SOLDER POT = 260 +/- 5°C<br>TIME FOR DIPPING IN SOLDER = 10 + 2 / - 0 SEC<br>DIPPING DEPTH = 1.57 +/- 0.79mm<br>FROM THE BODY<br>FOR ONE CYCLE                 | MIL-STD-750D<br>METHOD 2031.2                | LTPD 10<br>S.S =22<br>ACCEPT FOR 0<br>FAILURE ONLY. |